

WWW.ALTECH-UK.COM

AL
TECH UK



AL
code P

Multi Face Pallet Labelling Machine

Image above shows an ALcode P
multi-face label application system

Pallet Labelling

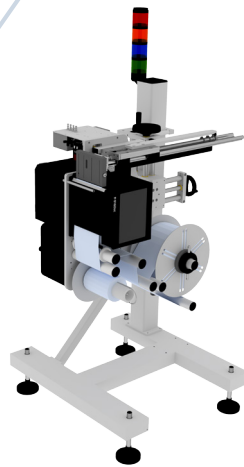
ALTech manufacture an unparalleled wide and varied range of industrial print and apply pallet labelling machines from simple single axis solutions (for placement within existing guarding) to semi-robotic freestanding multi-label application systems with integrated safety/protection cabinets, and a host of other accessory options to meet even the most demanding requirements and environments.

ALTech's pallet labelling solutions are based on their extremely well proven ALcode on-to-one print and apply machine range, integrating industry leading industrial print engines from manufacturers such as Zebra and Sato, allowing the customer to benefit from their respective print languages and interface options as well as the possibility of holding a 'hot-swap' print engine - popular with customers who are reliant on labelled products to allow them to ship their goods. ALTech's pallet labelling solutions are therefore, some of the easiest pallet labelling machines to interface with configurable PLC to control inputs, outputs and the functioning of the machine as well as its handshaking with the customers line.

In simple terms ALTech offer three generic levels of machine, allowing them to provide the optimal solution (both in terms of performance and budget) for almost any pallet labelling requirement. They are as follows:

ALcode L single axis pallet labelling solution

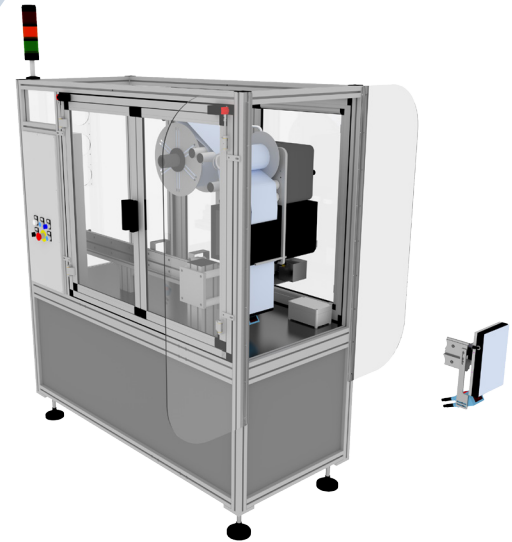
This machine is ideal for simple applications, such as, internal pallet identification labels, where interlocked guarding already exists or can be easily added and where pallets are relatively uniform in their size and shape, allowing a machine stroke to take the label from the printer to the pallet of a distance not more than 500mm.



ALcode L single axis pallet labelling solution for placement within existing guarding

Long stroke ALcode L single axis pallet labeller

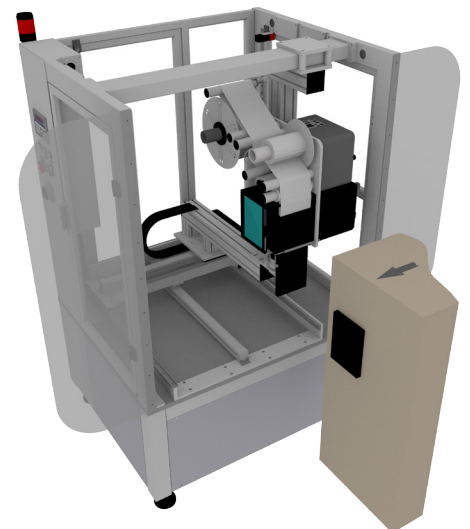
With its integrated base and safety cabinet to support the heavy duty extended stroke application system of the machine, this solution is ideal for turnkey stand alone single face (or up to four faces when used in combination with a conveyor turntable or turntable stretch wrapper) pallet labelling. It is configurable for strokes up to 1500mm and includes full cabinet interlocks and a larger PLC for more complex line integration requirements.



Long stroke ALcode L single axis pallet labeller with integrated base and safety cabinet

ALcode P multi-face label application system

The ALcode P is our premier turnkey pallet labelling machine designed specifically for two face Serial Shipping Container Code (SSCC) A5 (210mm x 148mm) label application in compliance with the GS1 standards onto Standard and Euro pallets in a single pallet stop at up to 180 pallets p/hr. It includes full guarding/housing of all controls, interlock safety switches, electrics and pneumatics.



ALcode P multi-face label application system in a single pallet stop

ALcode P uses an extremely robust and advanced tri-axial linear movement roller bearing mechanism with rotating labelling head, allowing fast and accurate movement of the labels from the printer to the pallet face, even with pallets of slightly differing shapes and sizes. As standard, labels are applied via contact using a flexible head 'tamp' application system with digital pressure sensors to monitor contact with the pallet and automatically reverse at a set label pressure.

This highly flexible universal solution can also be designed with axis strokes to accommodate non standard pallets of significant size

differences as well as allowing multi label logics, including front and side or side-rear, as well as the possibility of front, side and rear (three labels) in either one or two pallet stops.

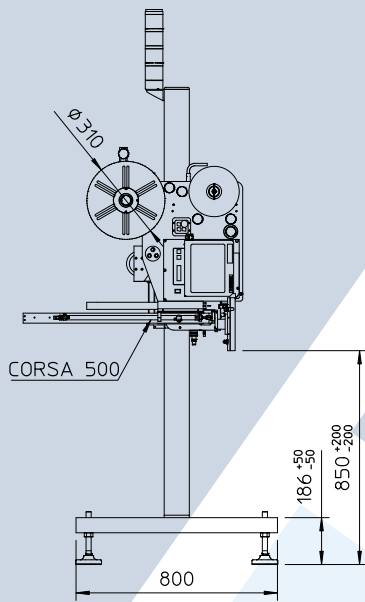
ALcode P is available with a host of enhancement options, including customer site standard PLC control systems, integrated label management systems to act as middle-where between the pallet labeller and the customers ERP system (e.g. SAP), as well as the possibility of internally managing inputs and outputs from automated scanners etc. and querying product databases for appropriate label print data in a completely standalone format.

In addition to the above we also offer standard solutions for both stationary or moving front of pallet application and have the skills and expertise to design and build bespoke solutions with features such as:

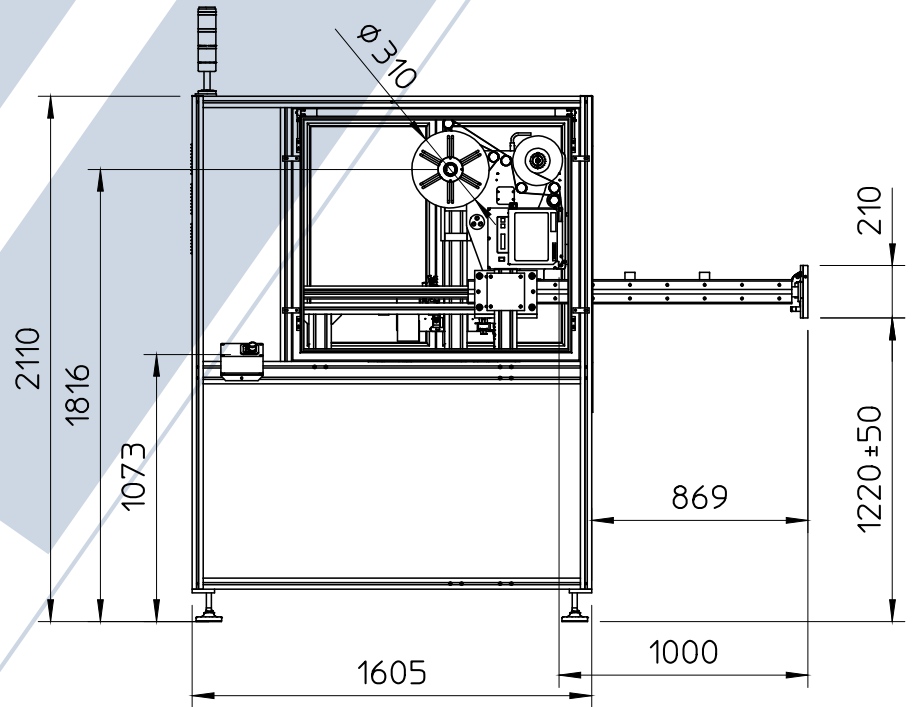
- Variable height application - raising and lowering the application arm to accommodate single and double stacked pallets as well as part pallets; including intelligent solutions to detect the height of the pallet.
- Large format (A4 and above) print and label application.
- Variable height base - raising and lowering the entire machine structure for multi-face label application at differing label heights.
- Integration of a labelling stapling solution; e.g. to securely apply tracking labels to the base of the wooden pallet.
- Detection systems to identify and place the label on a specific feature of the pallet; e.g. onto the straps or between layers of a pallet.



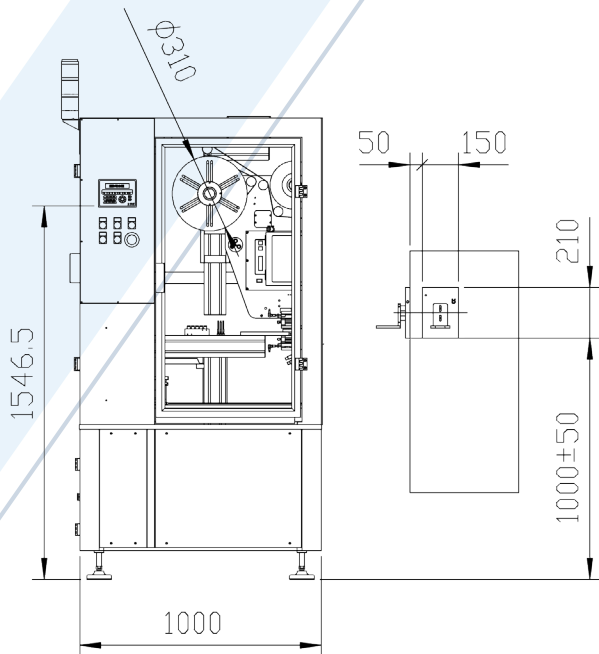
Application of SSCC GS1 2 Face Labels



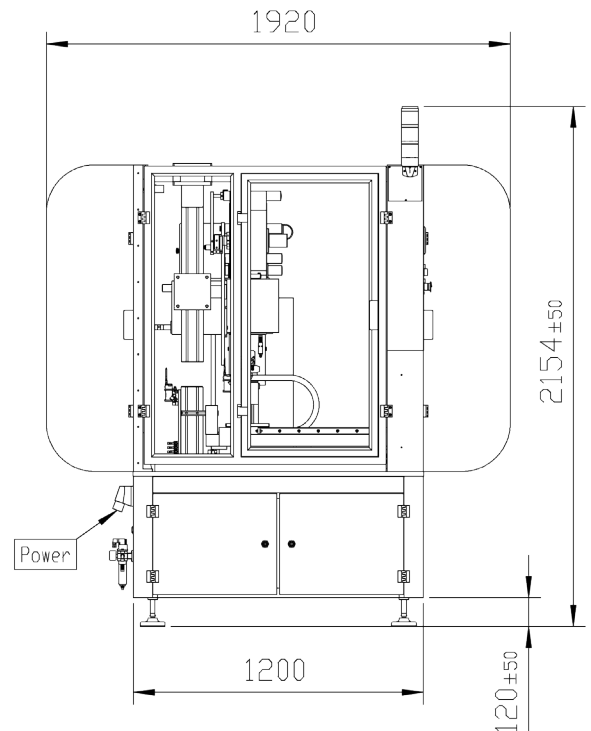
ALcode L single axis pallet labelling solution for placement within existing guarding



Long stroke ALcode L single axis pallet labeller with integrated base and safety cabinet



ALcode P multi-face label application system in a single pallet stop



Tel: 0800 612 6205
 Int: +44(0)1656 654 403
 Fax: +44(0)1656 649 555
 E-Mail: sales@altech-uk.com
 Web: www.ALTech-UK.com

ALTech UK Labelling Technologies Ltd
 Unit 2220, Central Park, Western
 Avenue, Bridgend, Mid Glamorgan,
 South Wales. CF31 3RT